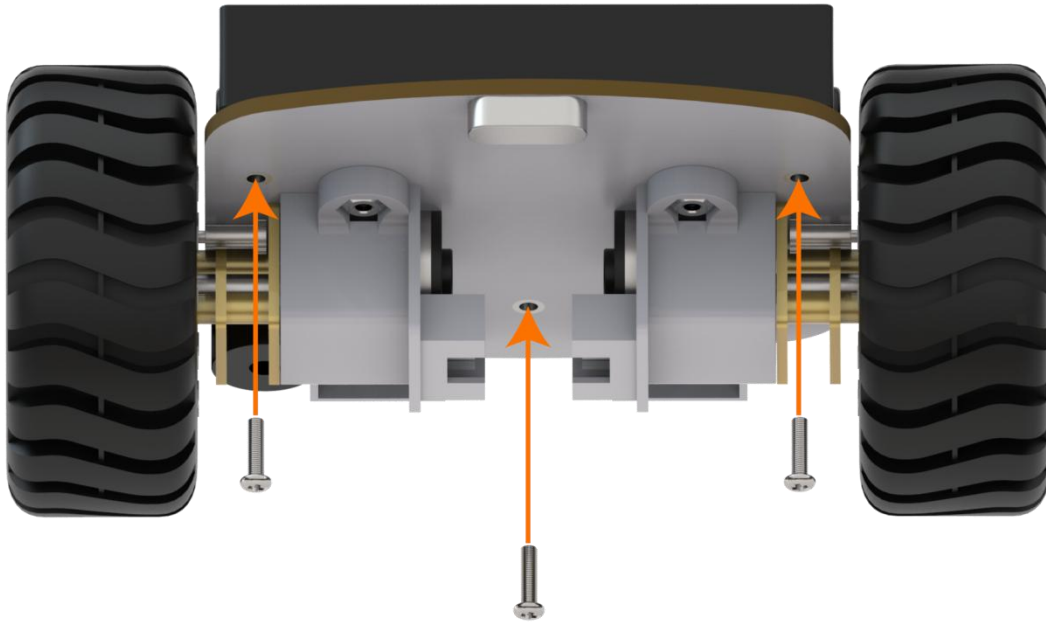


# Qbit Assembly Tutorial

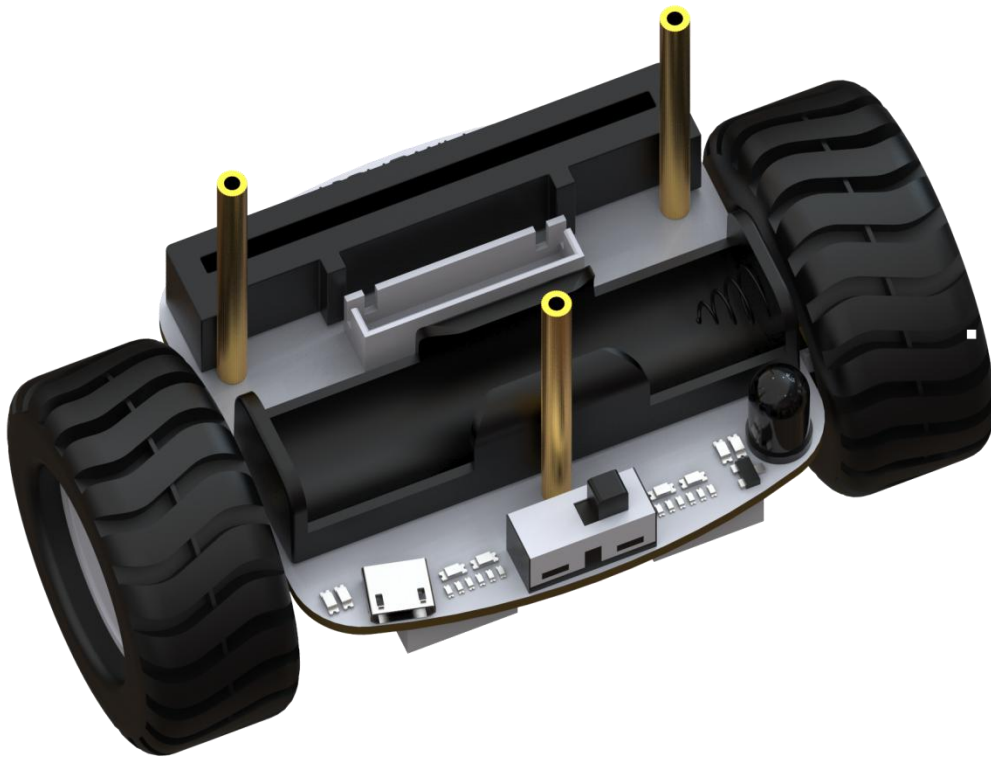
Step 1: Insert the screw into the corresponding holes.



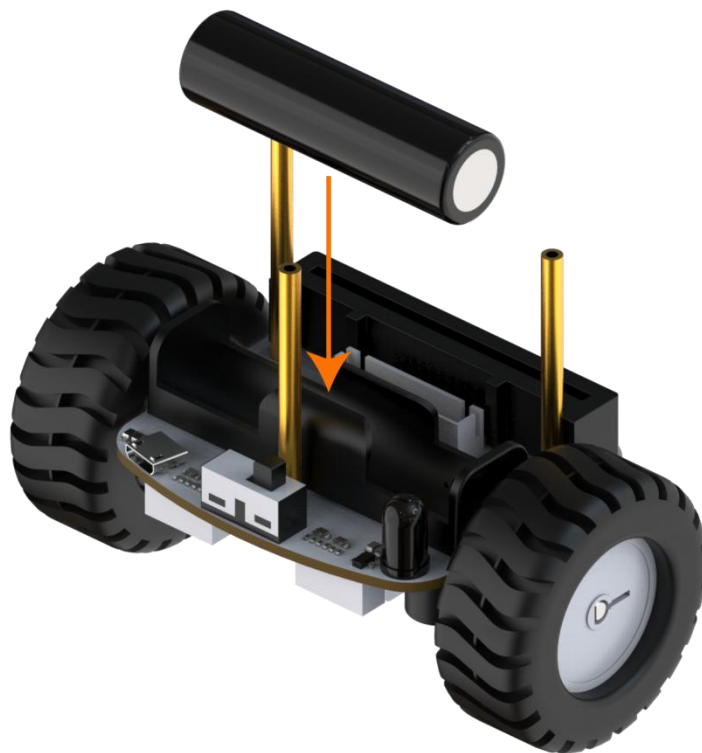


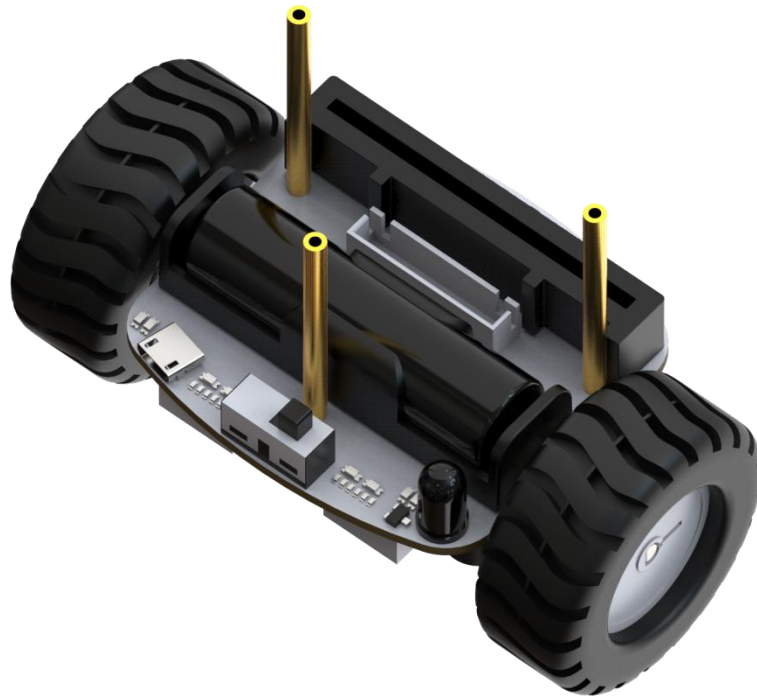
Step2: Fix the three copper pillars to the bottom plate with screws.



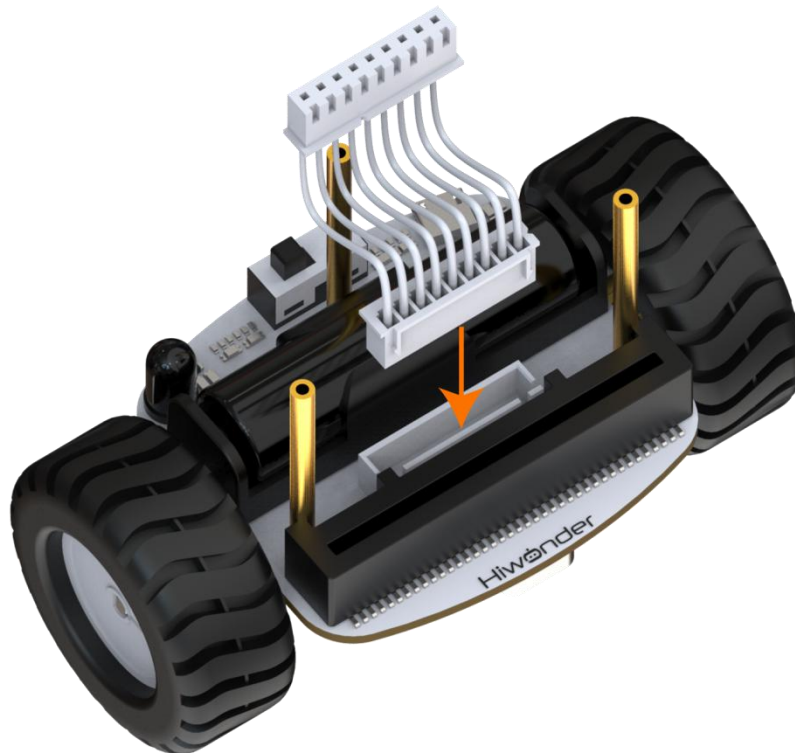


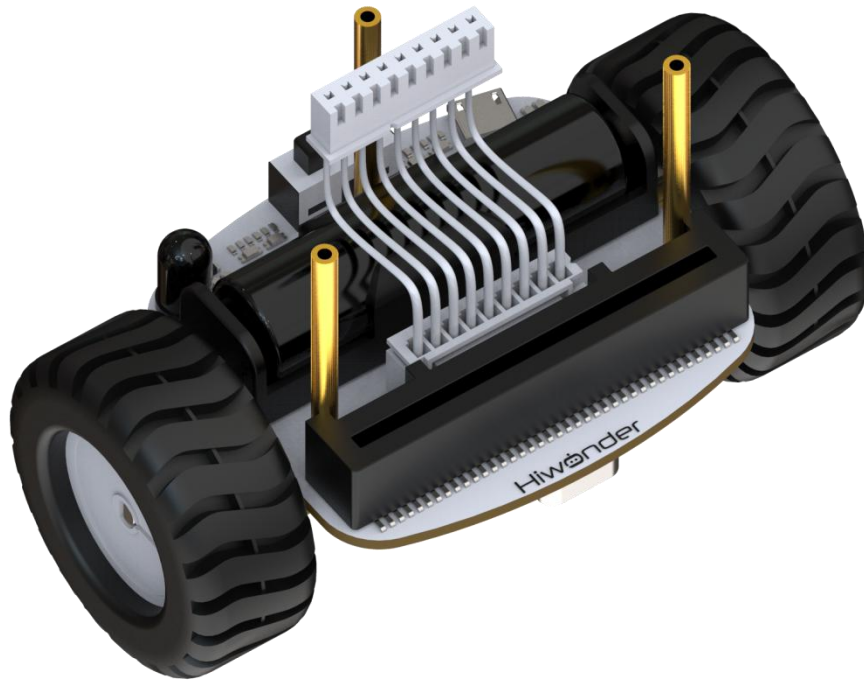
Step 3: Load the battery into the battery case.



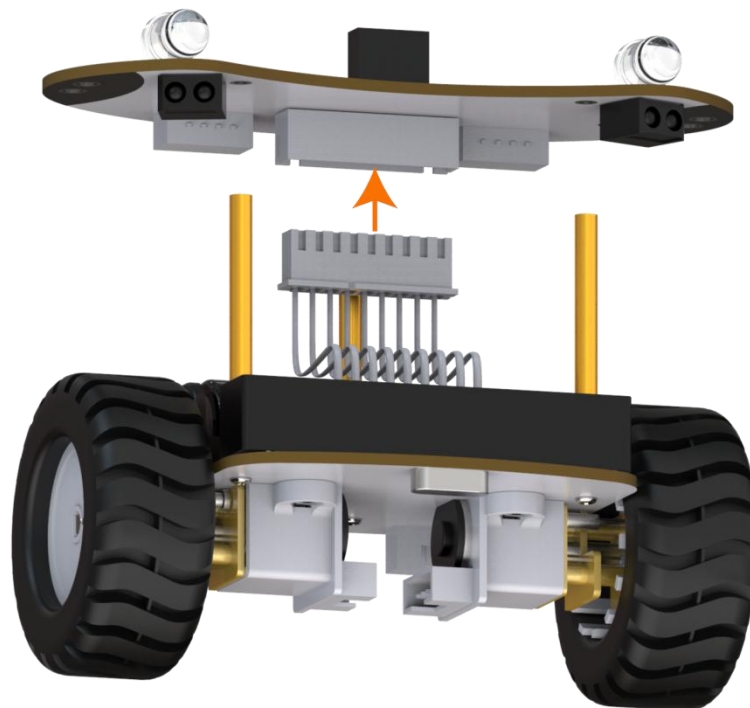


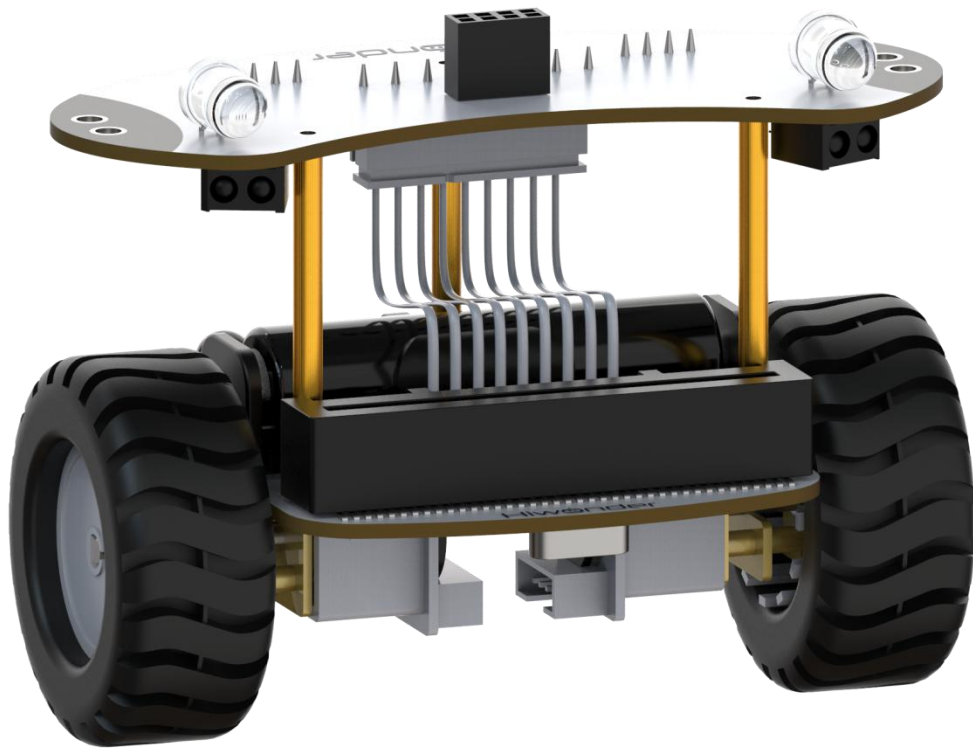
Step 4: Insert the flat cable into the slot of the bottom plate.



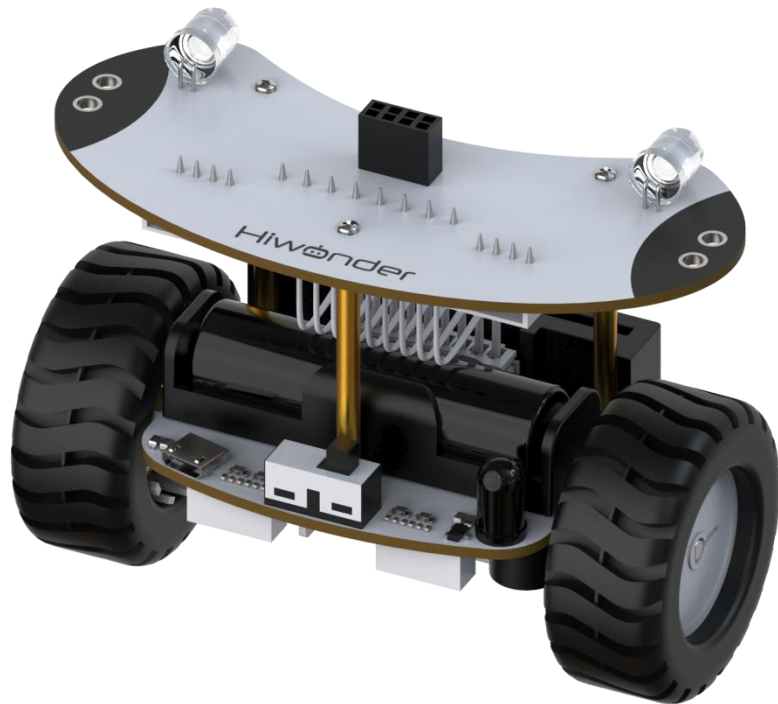
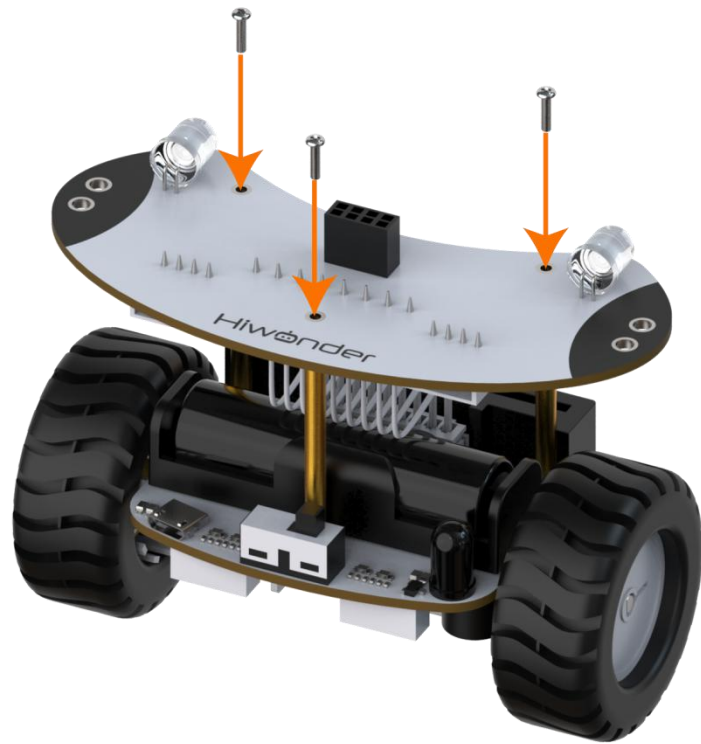


Step 5: Insert the flat cable into the upper plate.





Step 6: Fix the upper and bottom plates together with another three screws.



Step 7: Insert the ultrasonic sensor into the second row of connector.

